

Rittal – The System.

Faster – better – everywhere.

**Anschluss-Set für
Luft/Wasser-Wärmetauscher**
**Connection set for
air/water heat exchangers**



3201.990

Montage- und Installationsanleitung
Assembly and operating instructions

ENCLOSURES

POWER DISTRIBUTION

CLIMATE CONTROL

IT INFRASTRUCTURE

SOFTWARE & SERVICES



Assembly and installation instructions

EN

1 Application area

The connection set for air/water heat exchangers is used to ensure professional cooling water connections and volumetric flow control. The set is compatible with all Rittal TopTherm air/water heat exchangers with Model Nos. 3209.XX0, 3210.XX0, 3364.XX0, 3373.XX0, 3374.XX0 and 3375.XX0.

2 Connection and assembly

2.1 Connection

- Remove the connector sleeves and flat seals attached to the device (not required with 3209.XX0 and 3210.XX0).

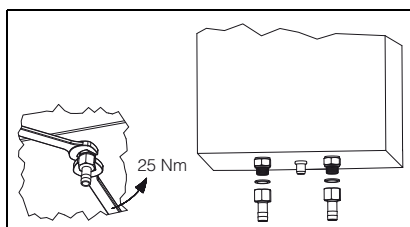


Fig. 1: Remove the connector sleeve



Note:

When loosening the connector sleeve, it is very important to secure the device fitting using an SW22 spanner. Otherwise, the connection in the device could leak.

- Attach the G $\frac{3}{8}$ " x G $\frac{3}{4}$ " adaptor included with the set to the cooling water inlet and return. Hand-tighten the adaptors, then tighten a further half-turn using an SW19 spanner.



Fig. 2: Attach the adaptor

- Insert the supplied PTFE seals into the G $\frac{3}{4}$ " union nuts.

- Attach the preconfigured assembly of flow regulator valve and pressure hose to the G $\frac{3}{8}$ " x G $\frac{3}{4}$ " adaptor of the cooling water inlet.
- Hand-tighten the union nut of the adaptor, then tighten a further half-turn using an SW32 spanner.
- Attach the pressure hose for the cooling water return in the same way.

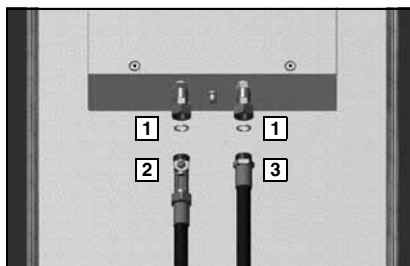


Fig. 3: Attach the pressure hoses

Key

- 1 PTFE seal
- 2 Cooling water inlet
- 3 Cooling water return



Note:

Before tightening the union nuts, please ensure that the display and the dial of the flow regulator valve are pointing forwards.



Note:

To achieve full cooling performance, the water flowrate should be regulated to 400 l/h.

- If necessary, cut the pressure hoses to the required length.
- Insert the ribbed connector sleeve with G $\frac{1}{2}$ " union nut into the end of the hose, and secure using the heavy duty clamps supplied.

Assembly and installation instructions

EN

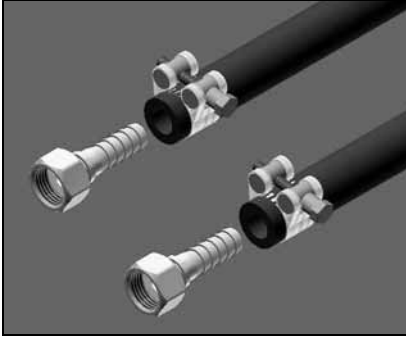


Fig. 4: Shorten the pressure hoses

- Connect the pressure hoses to the cooling water supply.

2.2 Assembly

The supply includes two hose clamps (including assembly parts) for routing the pressure hoses along the enclosure door or side panel.

- Attach the clamps to the enclosure using the washers and self-tapping screws included with the supply.

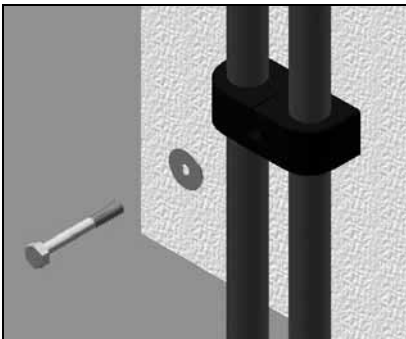


Fig. 5: Attach the clamps



Caution!
We do not advise attaching the hose clamps to the air/water heat exchanger, due to the risk of damaging the heat exchanger package.

3 Supply includes

Quantity	Description
2	Pressure hoses
1	Flow regulator valve
1	Dispatch bag:
2	– G 3/8" x G 3/4" adaptor
2	– PTFE seals 24 x 18 x 2
2	– Heavy-duty clamps
2	– Ribbed connector sleeves with G 1/2" union nuts
1	– Assembly instructions
2	– Screws 5.5 x 60
2	– Washers 25 x 6.4 x 1.25
2	– Hose clamps (dual version)

Tab. 1: Supply includes

4 Technical specifications

Model No.	3201.990
Hose length	3600 mm (including flow regulator valve)
Admissible pressure	1 to 10 bar
Material of pressure hose	EPDM
Material of fittings	Brass (CuZn)
Material of hose clamps	Thermoplastic elastomer
Setting range of flow regulator valve	3 to 12 l/min

Tab. 2: Technical specifications



Note:
The pressure of 7 bar (100 PSI) shown on the pressure hoses refers to water vapour as the medium.

Rittal – The System.

Faster – better – everywhere.

- Enclosures
- Power Distribution
- Climate Control
- IT Infrastructure
- Software & Services

RITTAL GmbH & Co. KG
Postfach 1662 · D-35726 Herborn
Phone +49(0)2772 505-0 · Fax +49(0)2772 505-2319
E-mail: info@rittal.de · www.rittal.com

ENCLOSURES

POWER DISTRIBUTION

CLIMATE CONTROL

IT INFRASTRUCTURE

SOFTWARE & SERVICES



FRIEDHELM LOH GROUP