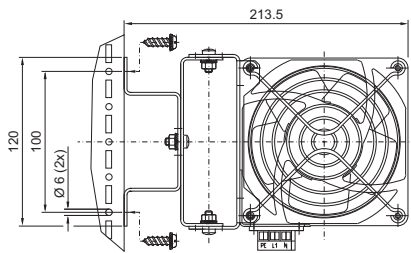


Climate control

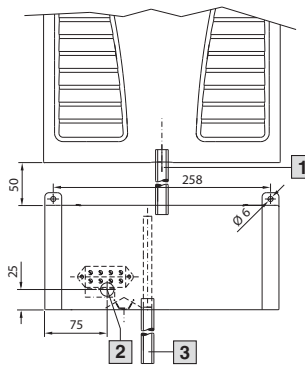
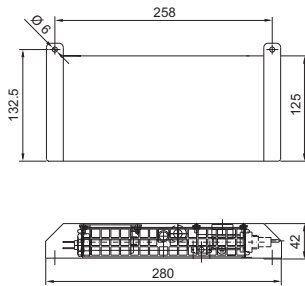
Climate control accessories

Enclosure internal fans



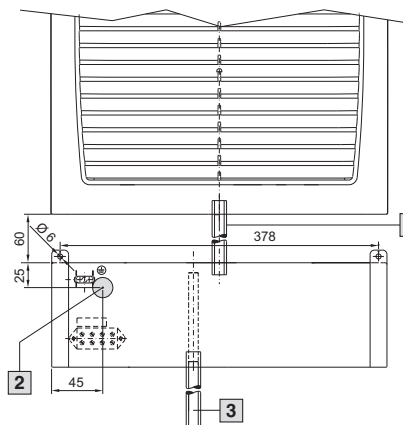
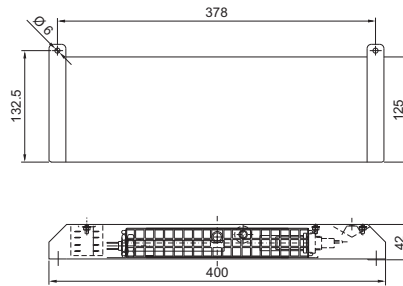
Electric condensate evaporator

SK 3301.500



- 1 Condensate hose
SK 3301.608 for SK 3302.XXX
SK 3301.610 for SK 3303.XXX
- 2 Suggested position of
cable entry
- 3 Hose provided by customer
Length as required

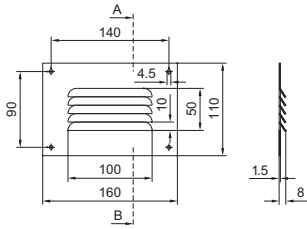
SK 3301.505



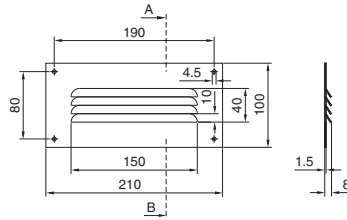
- 1 Condensate hose SK 3301.612
- 2 Suggested position of
cable entry
- 3 Hose provided by customer
Length as required

Integrated louvres

SK 2541.235



SK 2542.235



SK 2543.235

